

H-Series

2W Isolated DC/DC-Converters

- 4 Pin SIP Package
- 1kVDC or 3kVDC Isolation
- Low Ripple and Noise
- Single Output
- Ultra Miniature Package

Selection Guide (See Model Code Information on Page 39)

Ordering Code	Nominal Input Voltage (VDC)	Input Current		Output Voltage (VDC)	Output Current (mA)	Efficiency at Full Load (%)
		No Load (mA)	Full Load (mA)			

2W, 1kVDC, Single Output

H-053.3S	5	32	372	3.3	400	71
H-0505S	5	28	533	5	400	75
H-057.2S	5	35	533	7.2	278	75
H-0509S	5	38	500	9	222	80
H-0512S	5	38	500	12	167	80
H-0515S	5	35	500	15	133	80
H-0518S	5	35	500	18	111	80
H-0524S	5	35	488	24	83	82
H-123.3S	12	15	154	3.3	400	73
H-1205S	12	18	216	5	400	77
H-127.2S	12	18	211	7.2	278	79
H-1209S	12	16	198	9	222	84
H-1212S	12	16	198	12	167	84
H-1215S	12	20	206	15	133	81
H-1218S	12	18	208	18	111	80
H-1224S	12	18	211	24	83	79
H-2405S	24	8	107	5	400	78
H-247.2S	24	8	107	7.2	278	78
H-2409S	24	8	102	9	222	82
H-2412S	24	12	104	12	167	80
H-2415S	24	8	102	15	133	82
H-2418S	24	10	104	18	111	80
H-2424S	24	10	104	24	83	80
H-4805S	48	6	53	5	400	78
H-487.2S	48	6	53	7.2	278	78
H-4809S	48	6	52	9	222	80
H-4812S	48	6	53	12	167	78
H-4815S	48	6	52	15	133	80
H-4818S	48	6	53	18	111	79

See model code information on page 39

Continued on next Page

H-Series

2W Isolated DC/DC-Converters

Selection Guide (See Model Code Information on Page 39)

Ordering Code	Nominal Input Voltage (VDC)	Input Current		Output Voltage (VDC)	Output Current (mA)	Efficiency at Full Load (%)
		No Load (mA)	Full Load (mA)			

2W, 3kVDC, Single Output

H-053.3SH	5	25	369	3.3	400	72
H-0505SH	5	28	533	5	400	75
H-057.2SH	5	35	513	7.2	278	78
H-0509SH	5	38	500	9	222	80
H-0512SH	5	30	482	12	167	83
H-0515SH	5	35	500	15	133	80
H-0518SH	5	35	500	18	111	80
H-0524SH	5	35	488	24	83	82
H-123.3SH	12	15	151	3.3	400	73
H-1205SH	12	18	216	5	400	77
H-127.2SH	12	18	211	7.2	278	79
H-1209SH	12	16	198	9	222	84
H-1212SH	12	16	198	12	167	84
H-1215SH	12	20	206	15	133	81
H-1218SH	12	18	208	18	111	80
H-1224SH	12	18	211	24	83	79
H-2405SH	24	8	107	5	400	78
H-247.2SH	24	8	107	7.2	278	78
H-2409SH	24	8	102	9	222	82
H-2412SH	24	12	104	12	167	80
H-2415SH	24	8	102	15	133	82
H-2418SH	24	10	104	18	111	80
H-2424SH	24	10	104	24	83	80
H-4805SH	48	6	53	5	400	78
H-487.2SH	48	6	53	7.2	278	78
H-4809SH	48	6	52	9	222	80
H-4812SH	48	6	53	12	167	78
H-4815SH	48	6	52	15	133	80
H-4818SH	48	6	53	18	111	79

See model code information on page 39.

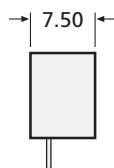
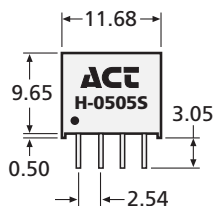
H-Series

2W Isolated DC/DC-Converters

Specifications – Typical at +25°C, Unless Otherwise Noted

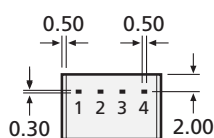
Voltage Range	±10%	Switching Frequency	125 KHz, typ.
Filter	Capacitors	Operating Temperature (Ambient)	-40°C to +85°C
Rated Voltage	1000 VDC, min.		-40°C to +71°C (no derating)
Leakage Current	1 mA	Storage Temperature	-55°C to +125°C
Resistance	10 ⁹ Ω	Derating	None Required
Capacitance	60 pF, typ.	Humidity	Up to 90%, Non-condensing
Voltage Accuracy	±5%, max.	Cooling	Free-air Convection
Ripple and Noise (at 20 MHz BW)	150 mVp-p, max.	Dimensions	11.68 x 7.20 x 10.15 mm 0.46 x 0.28 x 0.40"
Short Circuit Protection	Momentary	Weight	Black Plastic 2.5 g 48VDC Variants 3.5g
Line Voltage Regulation	±1.2% / 1.0% of Vin	Case Material	Non-conductive Black Plastic
Load Voltage Regulation (Load = 20-100%)	±8%, max.		
Temperature Coefficient	±0.02% / °C		
Efficiency	70% to 85%		

SIP4 Package Style and Pinning (mm)

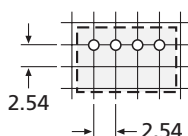


Pin Connections

Pin #	Single
1	-Vin
2	+Vin
3	-Vout
4	+Vout



Recommended Footprint Details

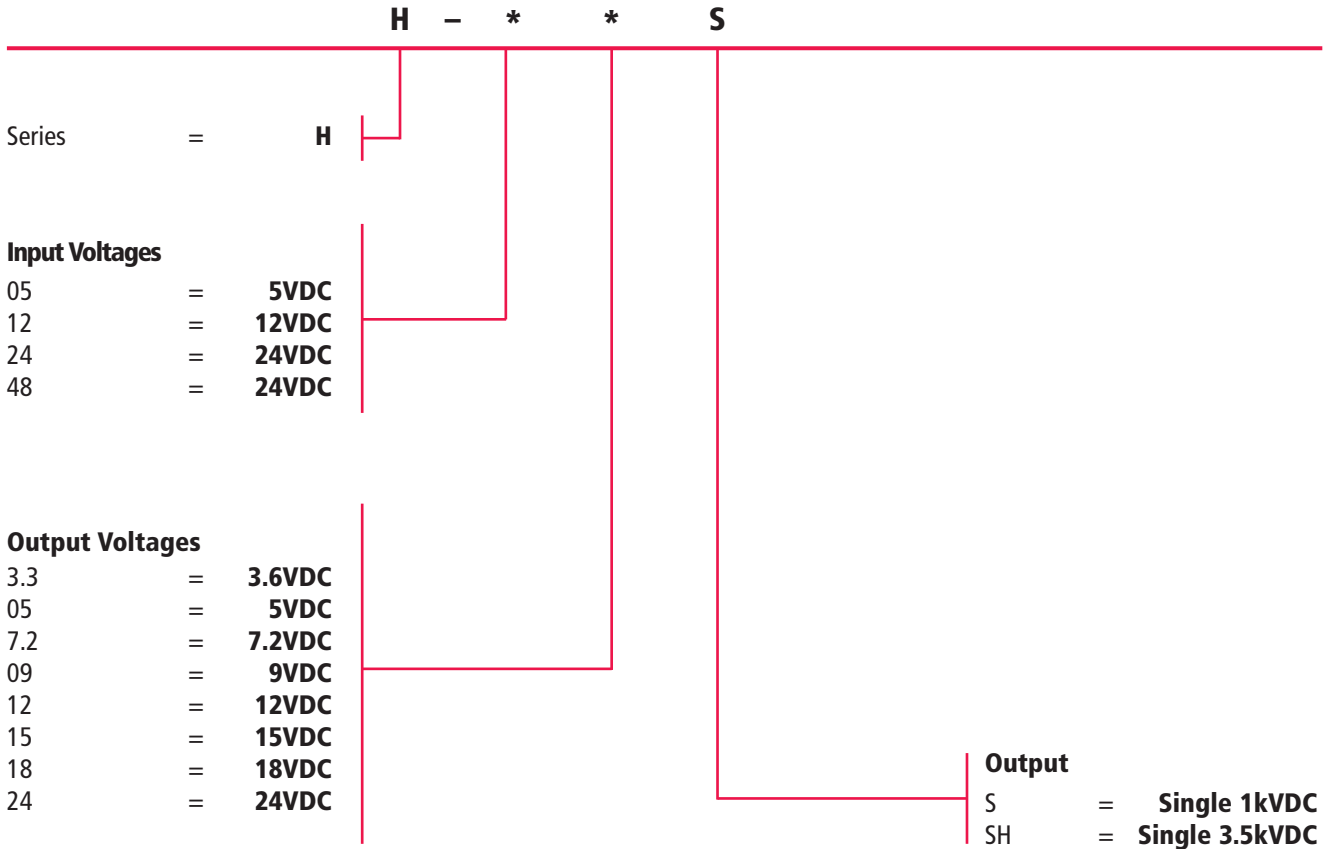


Tolerance:
x.xx = ±0.25mm

H-Series

2W Isolated DC/DC-Converters

Model Code Information



Ordering Examples: For availability see Selection Guides on pages 36 and 37

H1-1205HS = H-Series 2 Watt, 12VDC input, 5VDC output, 3kVDC isolation, SIP4 package size