

- 1kVDC or 3kVDC Isolation
- Single Regulated Output
- 7 Pin SIP and 14 Pin DIP Package
- Low Ripple and Noise

Selection Guide (See Model Code Information on Page 15)

Ordering Number	Nominal Input Voltage (VDC)	Input Current		Output Voltage (VDC)	Output Current (mA)	Efficiency at Full Load (%)
		No Load (mA)	Full Load (mA)			

1kVDC Single Output

C-0503S-*	5	20	200	3	200	60
C-053.3S-*	5	22	220	3.3	200	60
C-054.8S-*	5	25	318	4.8	200	61
C-0505S-*	5	28	312	5	200	63
C-0509S-*	5	32	312	9	111	64
C-0512S-*	5	45	312	12	84	64
C-1203S-*	12	13	83	3	200	60
C-123.3S-*	12	13	92	3.3	200	60
C-124.8S-*	12	15	133	4.8	200	61
C-1205S-*	12	16	130	5	200	64
C-1209S-*	12	16	123	9	111	68
C-1212S-*	12	22	123	12	84	68
C-2403S-*	24	8	43	3	200	58
C-243.3S-*	24	8	47	3.3	200	58
C-244.8S-*	24	7	64	4.8	200	63
C-2405S-*	24	7	64	5	200	65
C-2409S-*	24	10	63	9	111	66
C-2412S-*	24	10	63	12	84	66

* Select on Inquiry Form SIP7 (Suffix 'S') or DIP14 (Suffix 'D') package size, see model code information on page 15.

Continued on next Page.

Selection Guide (See Model Code Information on Page 15)

Model Number	Nominal Input Voltage (VDC)	Input Current No Load (mA)	Input Current Full Load (mA)	Output Voltage (VDC)	Output Current (mA)	Efficiency at Full Load (%)
--------------	-----------------------------	----------------------------	------------------------------	----------------------	---------------------	-----------------------------

3kVDC Single Output

C-0503SH-*	5	18	193	3	200	62
C-053.3SH-*	5	18	212	3.3	200	62
C-054.8SH-*	5	22	307	4.8	200	63
C-0505SH-*	5	26	312	5	200	64
C-0509SH-*	5	26	312	9	111	64
C-0512SH-*	5	26	312	12	84	64
C-1203SH-*	12	15	81	3	200	62
C-123.3SH-*	12	15	88	3.3	200	62
C-124.8SH-*	12	20	128	4.8	200	63
C-1205SH-*	12	23	130	5	200	64
C-1209SH-*	12	23	130	9	111	64
C-1212SH-*	12	23	130	12	84	64
C-2403SH-*	24	12	40	3	200	62
C-243.3SH-*	24	12	43	3.3	200	63
C-244.8SH-*	24	10	64	4.8	200	63
C-2405SH-*	24	10	64	5	200	65
C-2409SH-*	24	9	65	9	111	64
C-2412SH-*	24	9	65	12	84	64

* Select on Inquiry Form Suffix 'S' for SIP7 or 'D' for DIP14 package size , see model code information on page 15

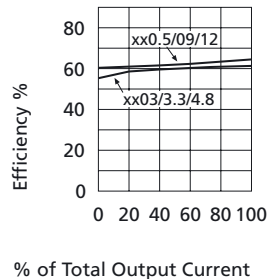
C-Series

0.6 - 1W Isolated DC/DC-Converters

Specifications – Typical at +25°C, Unless Otherwise Noted

Voltage Range	±10%	Switching Frequency	125 kHz, typ.
Filter	Capacitors	Operating Temperature	-40°C to +85°C -40°C to +71°C (no derating)
Rated Voltage	1000 VDC min.	Storage Temperature	-55°C to +125°C
Leakage Current	1 mA	Derating	None Required
Resistance	10 ⁹ Ω	Humidity	Up to 90%, Non-condensing
Capacitance	60 pF, typ.	Cooling	Free-air Convection
Voltage Accuracy	±3%, max.	Dimensions	SIP7 19.50 x 6.00 x 9.50 mm 0.76 x 0.24 x 0.37"
Ripple and Noise (at 20 MHz BW)	50 mVp-p, max.	DIP14	20.32 x 10.16 x 6.85 mm 0.80 x 0.40 x 0.27"
Short Circuit Protection	Momentary	Weight	2.7 g
Line Voltage Regulation	±0.5%, max.	Case Material	Non-conductive Black Plastic
Load Voltage Regulation	±0.5%, max.		
Temperature Coefficient	±0.02% / °C		
Efficiency	60% to 75%		

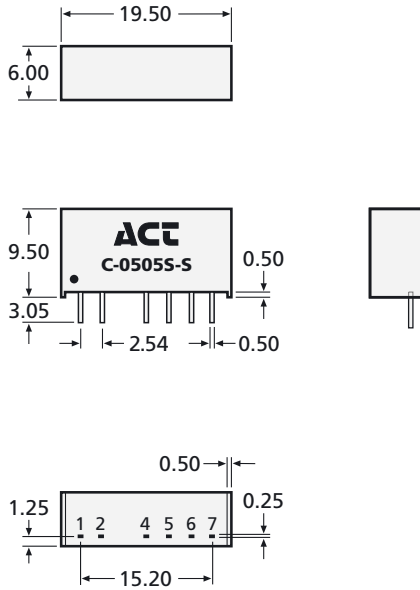
Typical Characteristics



C-Series

0.6 - 1W Isolated DC/DC-Converters

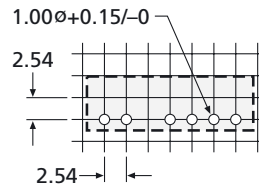
SIP7 Package Style and Pinning (mm)



Pin Connections

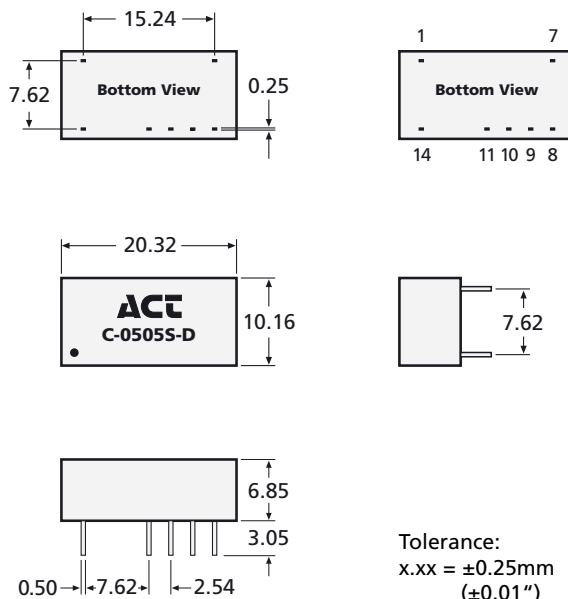
Pin #	1kVDC Standard Single	3kVDC Single
1	+Vin	+Vin
2	-Vin	-Vin
4	-Vout	Omitted
5	Omitted	-Vout
6	+Vout	Omitted
7	Omitted	+Vout

Recommended Footprint Details

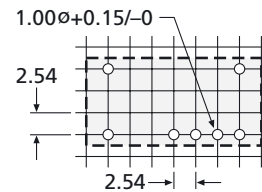


Tolerance:
x.xx = $\pm 0.25\text{mm}$
($\pm 0.01''$)

DIP14 Package Style and Pinning (mm)



Recommended Footprint Details

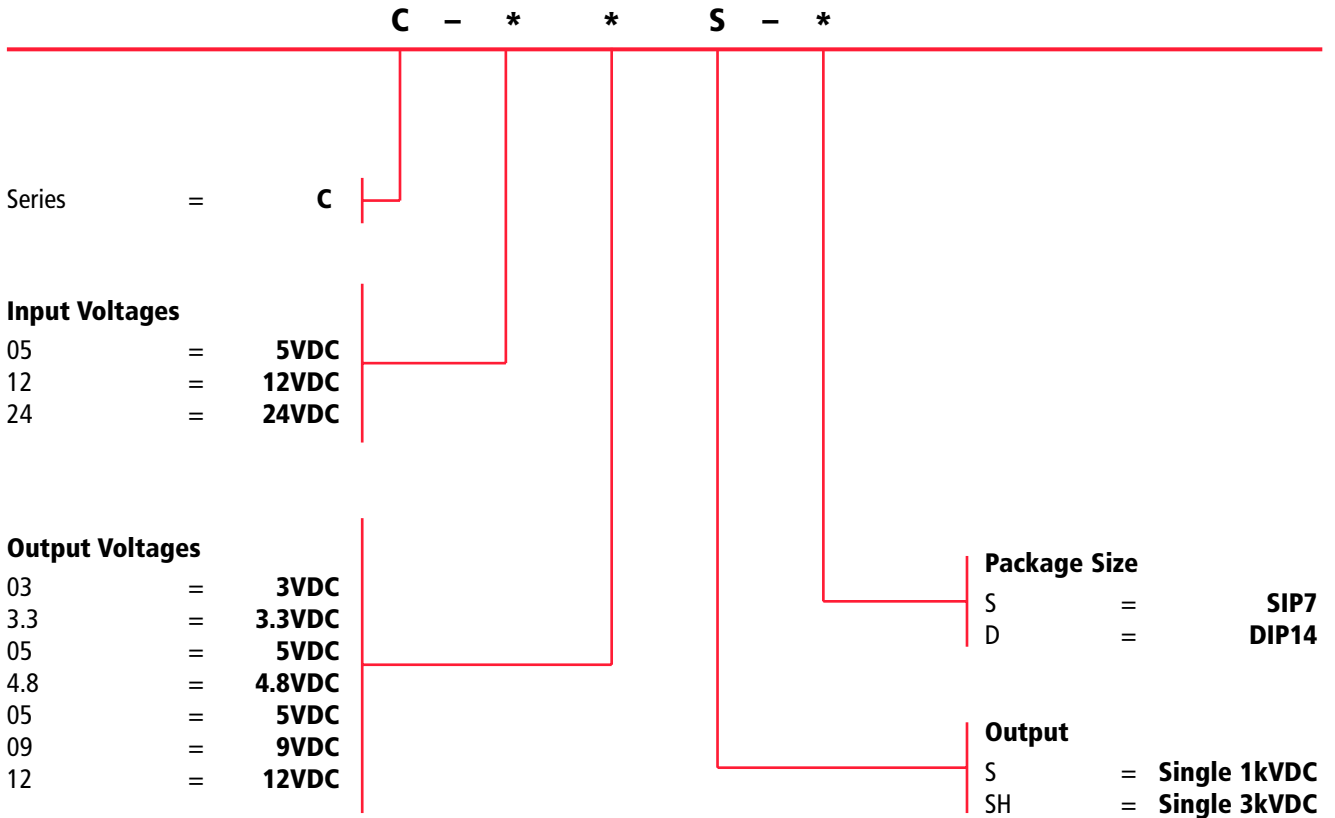


Pin Connections

Pin #	1kVDC Standard Single	3kVDC Single
1	-Vin	-Vin
7	NC	NC
8	Omitted	+Vout
9	+Vout	Omitted
10	Omitted	-Vout
11	-Vout	Omitted
14	+Vin	+Vin

Tolerance:
x.xx = $\pm 0.25\text{mm}$
($\pm 0.01''$)

Model Code Information



Ordering Examples: For availability see Selection Guides on pages 11 and 12

C-0512S-S = C-series, 5VDC input, 12VDC output, single output, 1kVDC isolation, SIP7 package size

C-053.3SH-D = C-series, 5VDC input, 3.3VDC output, single output, 3kVDC isolation, DIP14 package size